



PDP

Guarnizioni per PISTONE
PISTON seals

TECNOLAN

Versione standard		Standard version	
Elemento di tenuta	NBR	Sealing Ring	NBR
Anello esterno	Poliuretano	Outer Sealing Ring	Polyurethane
Rondelle	POM	Back up Rings	POM
Versioni Alternative		Alternative Versions	
Elemento di tenuta	NBR basse temp.	Sealing Ring	NBR low temp.
Pressione fino a / Pressure up to			
40 MPa			
Velocità fino a / Speed up to			
0.5 m/s			
Temperatura / Temperature			
-30°C +110°C		-50°C +110°C TDS 108	
Applicazioni		Applications	
Escavatori		Excavators	
Idraulica Mobile		Mobile Hydraulics	
Cilindri per applicazioni medie		Medium duty hydraulic cylinders	



PDH

Guarnizioni per PISTONE
PISTON seals

TECNOTEX

Versione standard		Standard version	
Elemento di tenuta	NBR	Sealing Ring	NBR
Anello esterno	PTFE caricato	Outer Sealing Ring	PTFE
Rondelle	POM	Back up Rings	POM
Versioni Alternative		Alternative Versions	
Elemento di tenuta	NBR basse temp.	Sealing Ring	NBR low temp.
Elemento di tenuta	NBR FKM	Sealing Ring	NBR FKM
Rondelle	PTFE	Back up Rings	PTFE
Pressione fino a / Pressure up to			
60 MPa			
Velocità fino a / Speed up to			
1.5 m/s			
Temperatura / Temperature			
-30°C +110°C		-20°C +200°C FKM	
		-50°C +110°C TDS 108	
Applicazioni		Applications	
Idraulica Mobile		Mobile Hydraulics	
Excavators		Excavators	
Cilindri per applicazioni gravose		Heavy duty hydraulic applications	



Guarnizioni per PISTONE
PISTON seals

PDP • PDH

146÷149



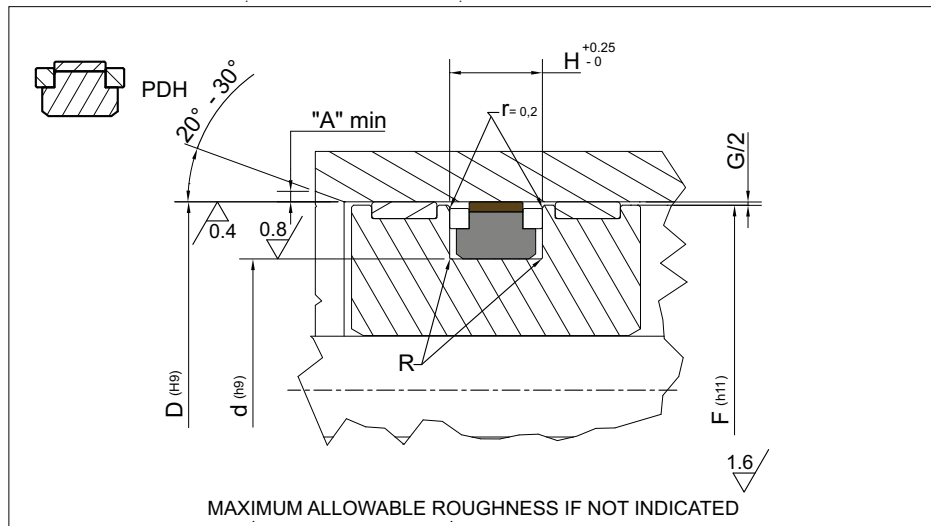
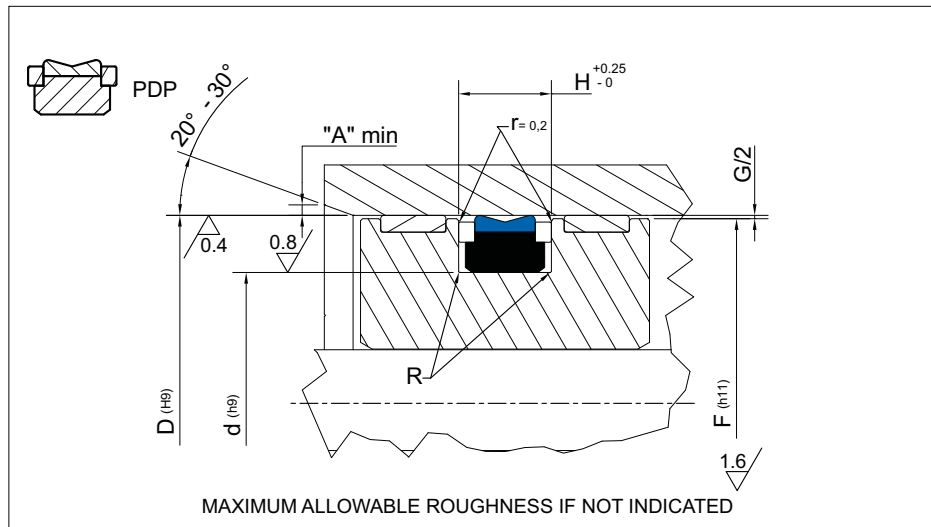
www.prhseals.com

PRH SEALS GROUP (INDIA)

**TECNOTEX
TECNOLAN**

Guarnizioni per PISTONE
PISTON seals

**PDP
PDH**



Piston Seal design guidelines

R	d ≤ 100mm		d > 100mm	
	max 0.30 mm		max 0.60 mm	
A	1 mm	2 mm	3 mm	3 mm < A ≤ 5 mm
G	Pressure up to 35 MPa 1.00		Pressure from 35 MPa up to 60 MPa peak 0.60	

PART NR		DIMENSIONI SEDI / Housing dimensions				
		D	d	H	S	F
PDP/PDH	101	40,00	30,00	8,00	5,00	39,30
PDP/PDH	102	50,00	36,00	9,00	5,00	49,30
PDP/PDH	103	50,00	40,00	8,00	5,00	49,30
PDP/PDH	104	55,00	41,00	9,00	5,00	54,30
PDP/PDH	105	60,00	46,00	9,00	5,00	59,30
PDP/PDH	106	60,00	50,00	8,00	5,00	59,30
PDP/PDH	107	63,00	48,00	11,00	5,00	62,30
PDP/PDH	108	63,00	53,00	8,00	5,00	62,30
PDP/PDH	109	65,00	50,00	11,00	5,00	64,30
PDP/PDH	110	70,00	55,00	11,00	5,00	69,30
PDP/PDH	111	70,00	60,00	8,00	5,00	69,30
PDP/PDH	112	75,00	60,00	11,00	5,00	74,30
PDP/PDH	113	80,00	65,00	11,00	5,00	79,00
PDP/PDH	114	80,00	65,00	12,50	5,00	79,00
PDP/PDH	115	85,00	70,00	11,00	5,00	84,00

PRH SEALS GROUP (INDIA)

PART NR		DIMENSIONI SEDI / Housing dimensions				
		D	d	H	S	F
PDP/PDH	116	90,00	75,00	11,00	5,00	89,00
PDP/PDH	117	90,00	75,00	12,50	5,00	89,00
PDP/PDH	118	95,00	80,00	11,00	5,00	94,00
PDP/PDH	119	100,00	85,00	12,50	5,00	99,00
PDP/PDH	119/1	105,00	90,00	12,50	5,00	104,00
PDP/PDH	120	110,00	95,00	12,50	5,00	109,00
PDP/PDH	121	115,00	100,00	12,50	5,00	114,00
PDP/PDH	122	120,00	105,00	12,50	5,00	119,00
PDP/PDH	123	125,00	102,00	16,00	6,50	124,00
PDP/PDH	124	125,00	110,00	12,50	6,50	124,00
PDP/PDH	125	130,00	107,00	16,00	6,50	129,00
PDP/PDH	126	130,00	115,00	12,50	6,50	129,00
PDP/PDH	127	135,00	112,00	16,00	6,50	134,00
PDP/PDH	128	140,00	117,00	16,00	6,50	139,00
PDP/PDH	129	140,00	125,00	12,50	6,50	139,00
PDP/PDH	130	145,00	122,00	16,00	6,50	144,00
PDP/PDH	131	150,00	127,00	16,00	6,50	149,00
PDP/PDH	131/1	150,00	135,00	12,50	6,50	149,00
PDP/PDH	132	160,00	137,00	16,00	6,50	159,00
PDP/PDH	133	160,00	145,00	12,50	6,50	159,00
PDP/PDH	134	165,00	142,00	16,00	6,50	164,00
PDP/PDH	134/1	170,00	147,00	16,00	6,50	169,00
PDP/PDH	134/2	170,00	155,00	12,50	6,50	169,00
PDP/PDH	135	180,00	157,00	16,00	6,50	179,00
PDP/PDH	136	180,00	165,00	12,50	6,50	179,00
PDP/PDH	136/1	190,00	167,00	16,00	6,50	189,00
PDP/PDH	137	190,00	175,00	12,50	6,50	189,00
PDP/PDH	137/1	200,00	177,00	16,00	6,50	198,80
PDP/PDH	138	200,00	180,00	16,00	6,50	198,80
PDP/PDH	138/1	220,00	200,00	16,00	8,00	218,80
PDP/PDH	138/2	225,00	202,00	16,00	8,00	223,80
PDP/PDH	139	230,00	210,00	16,00	8,00	228,80
PDP/PDH	140	250,00	230,00	16,00	8,00	248,80
PDP/PDH	141	260,00	240,00	16,00	8,00	258,80
PDP/PDH	142	280,00	260,00	16,00	8,00	278,80
PDP/PDH	143	290,00	270,00	16,00	8,00	288,80
PDP/PDH	144	300,00	280,00	16,00	8,00	298,80
PDP/PDH	145	320,00	295,00	20,00	8,00	318,80
PDP/PDH	146	400,00	375,00	20,00	8,00	398,80



Guarnizioni per PISTONE
 PISTON seals

PDP
PDH

